



## METAXDOOR SWG Automatic Swing Door Operator



Revolving Doors



Sliding Doors



Swing Doors





Single Leaf Inward Automatic Swing Door



Single Leaf Outward Automatic Swing Door

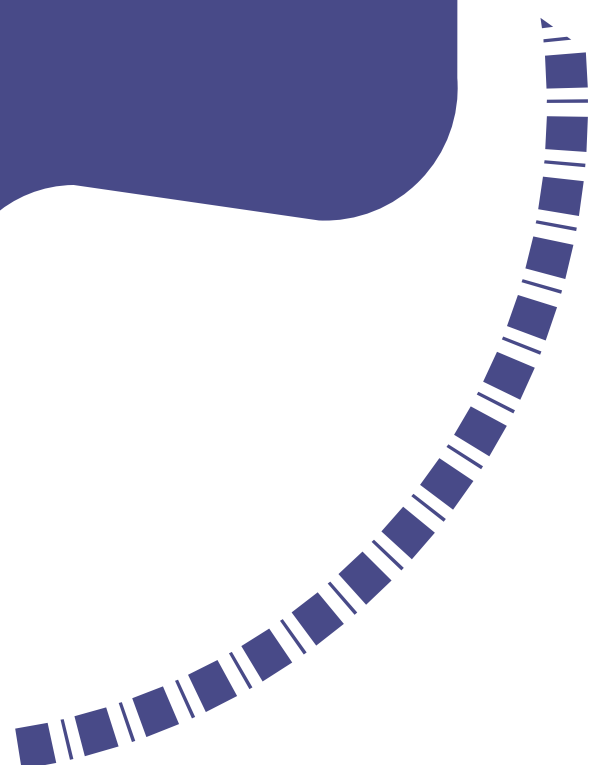


Double Leaf Inward Automatic Swing Door



Double Leaf Outward Automatic Swing Door

*You Dream,  
We Build*



# Easy installation, aesthetic design and special functions are the core features highlighting **Metaxdoor SWG**.

**METAXDOOR** SWG is an electromechanic overhead automatic swing door operator with an integrated spring system.

This system can easily make single or double leaf doors automatic with push or pull arm options.

- Slim design (70mm),
- Opening with low force on manual mode,
- Easily adjustable door opening speed,
- Low accessory cost,
- Push and pull function are some of the core hardware specifications of SWG.

**METAXDOOR** SWG can work with different control systems (fire alarm, sensors, buttons, card readers, etc.). With this mechanism, you can add automation to swing doors at a very low cost, which you didn't consider automating earlier.

In case of power failure, the system doesn't lock itself and can be used as manual.

**METAXDOOR** SWG automatic swing door mechanism can be used in shopping malls, hospitals, public buildings, different places for handicapped passage, hotels and restaurants.





### Technical Specifications

|   |   |
|---|---|
| Power Supply  | 230 V ~* or 115 V~*<br>(+6%-10%) (* Depending on the model) |
| Power Consumption                                     | 100 W   |
| Current   | 0,5 A   |
| Motor   | 24 V DC = With encoder                                      |
| Dimensions  | 530 x 105 x 160<br>L x H x D                                |
| Weight  | 10 Kg   |
| Ambient Temperature                                   | -20° C.....+55° C   |
| Protection Class                                      | IP 23 (indoor use)  |
| Max. Leaf Dimensions and Weight                       | Section 3   |
| Use Frequency   | Continuous  |
| ROT   | Continuous use at 55° C                                     |
| Operation With No Power                               | Manual push or pull opening depending on the arm            |
| Type of Transmission Arms                             | * Articulated * Sliding L=330 mm * Sliding L=430 mm         |
| Anti-crushing Device                                  | With reverse in case of obstacle (standard supply)          |
| Max. Opening Angle                                    | Section 3.3   |
| Opening Time  | Adjustable from 4 to 10 seconds                             |
| Closing Time  | Adjustable from 4 to 10 seconds                             |
| Accessories Power Supply + Electric Lock Power Supply | 24 V = 1000 mA Max.   |
| Operating Modes (by selector switch)                  | Open - Automatic - Manuel or Night                          |
| Hold-open Time  | Adjustable form 0 to 30 seconds                             |

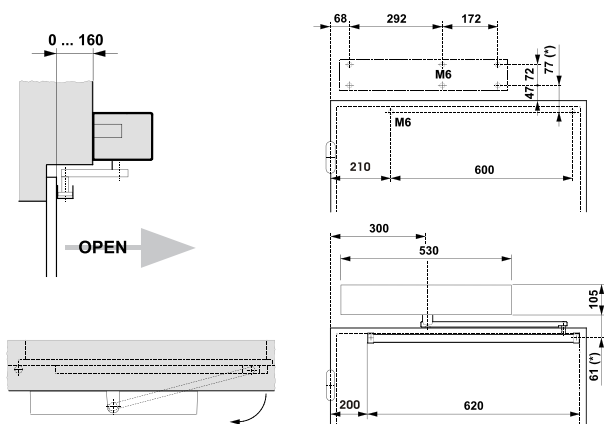
\* Contact for special request upon project basis.

\*\* Some specifications are not available for static requirements.

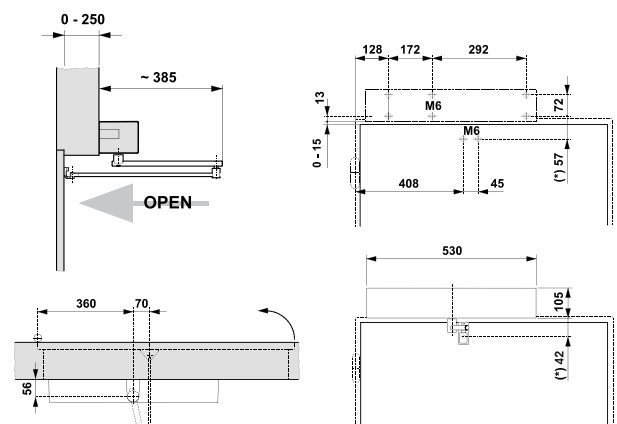
\*\*\* Contact for detailed information.

\*\*\*\* Dimensions are for information purposes only and are subject to change upon static requirements.

#### Inward - Pull Arm



#### Outward - Push Arm





### Activation

METAXDOOR SWG offers a wide range of activation alternatives including motion sensors, code panels, card readers, touchless proximity sensors, push buttons, fingerprint readers, remote controls. All these options are compatible with the system and ensure you get the most suitable entrance solution for your needs.



### Leaves

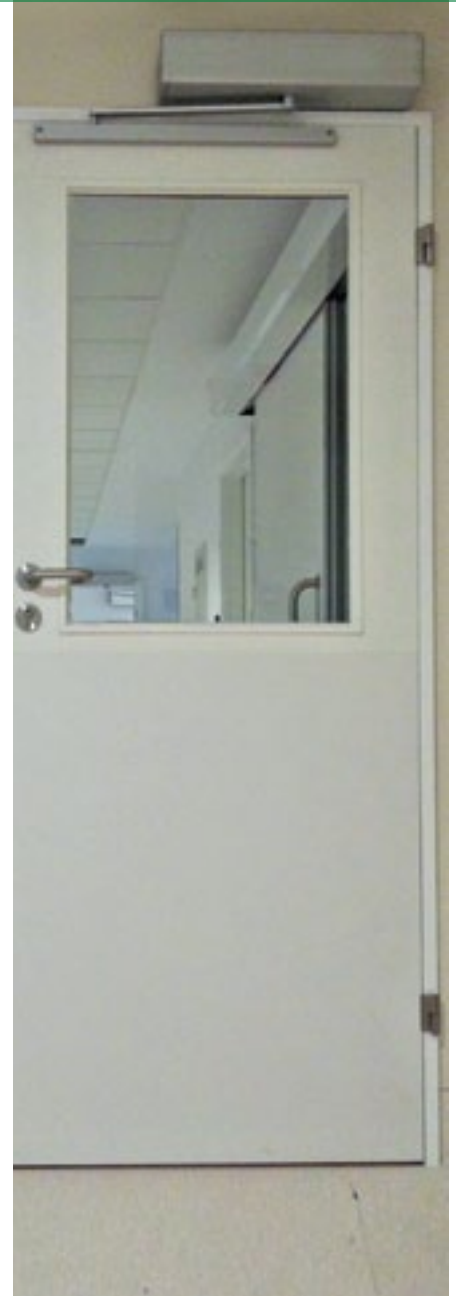
Metaxdoor automatic door systems, reflect their outstanding mechanism features to their looks by especially using strong and elegant profiles combined with various glass alternatives which can meet your needs.

Many kinds of color and finish alternatives can be applied to custom designed profiles.

Manufactured specially according to "safety first" rule, the glasses can be customised depending on your project.

### Operation Modes

Thanks to their highly advanced controllers, Metaxdoor automatic door systems present



you various operation modes.

For every situation, there is an operation mode you can select for your METAXDOOR automatic door systems.

With modes, such as; emergency mode, push and go mode, manual mode, full open mode and synchronisation mode, Metaxdoor automatic door are designed to meet your needs.

### Safety System

METAXDOOR automatic door systems provide you with a safe and comfortable passage by making no compromises for safety.

The precise and reliable safety systems, which are developed in cooperation with world leader companies, are used within the system with various alternatives depending on usage.

## DOOR OPERATOR



Door Operator



Inswing Arm



Outswing Arm

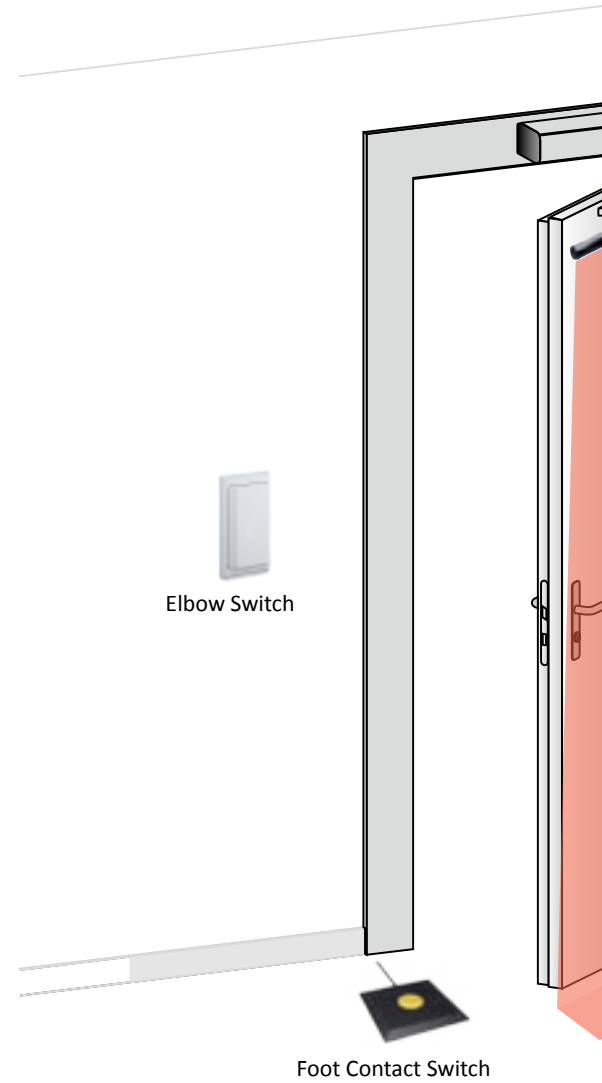


Extension H30 - H50 - H80



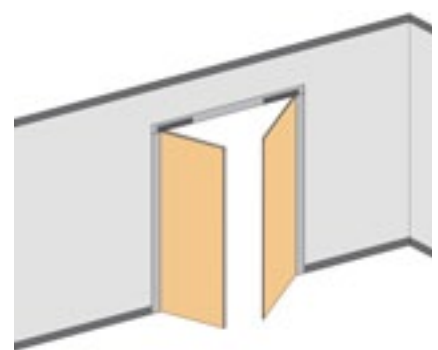
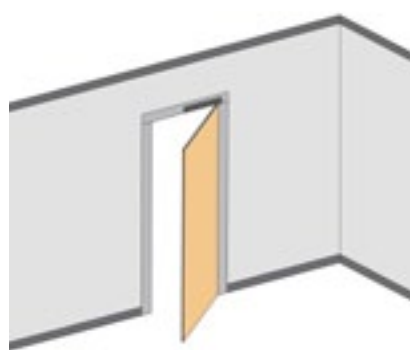
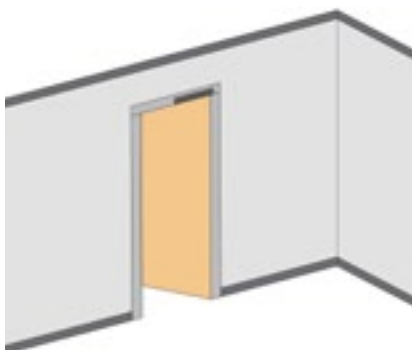
## FOOT CONTACT SWITCH

Foot Contact Switch



Elbow Switch

Foot Contact Switch



SERVICE TERMINAL

Service Terminal



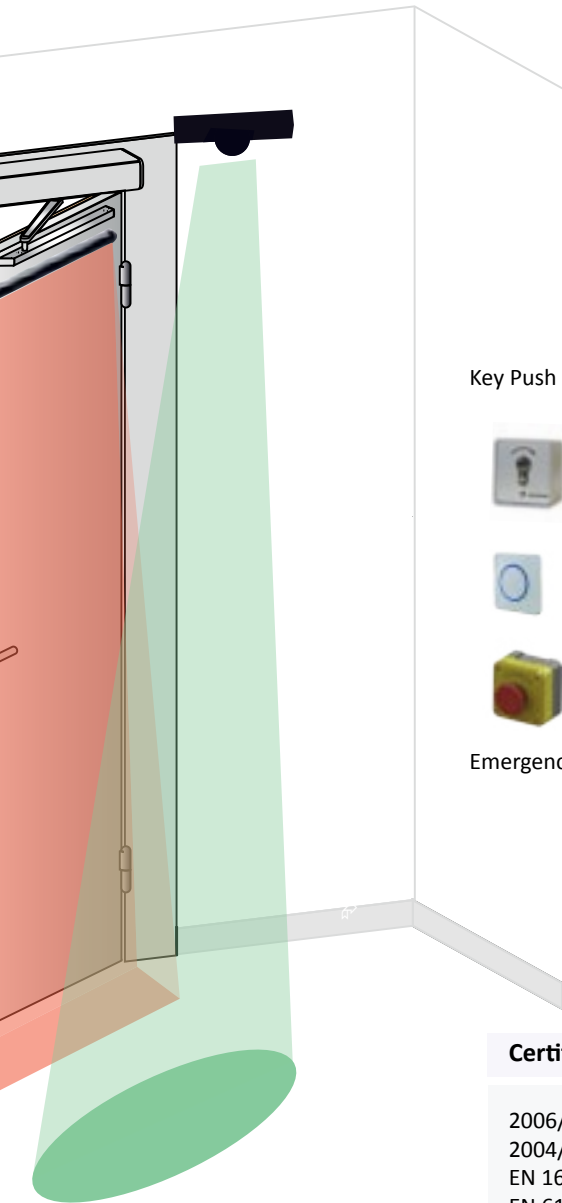
MOTION DETECTORS



Radar



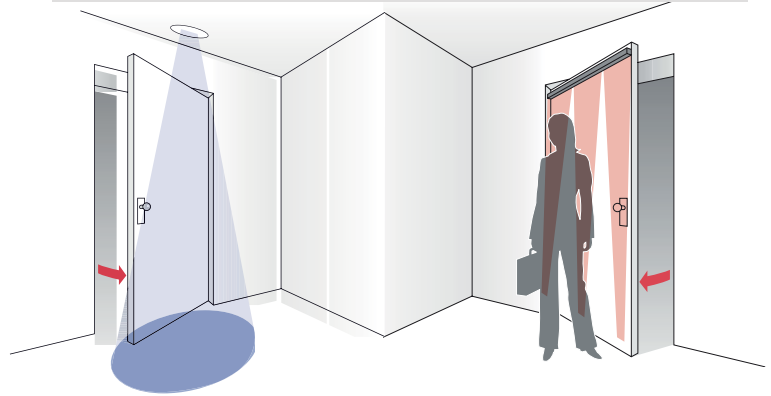
Topscan Active Infrared Detectors



Key Push Button



Emergency Push Button



SWITCH

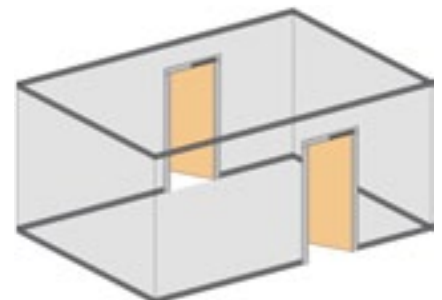
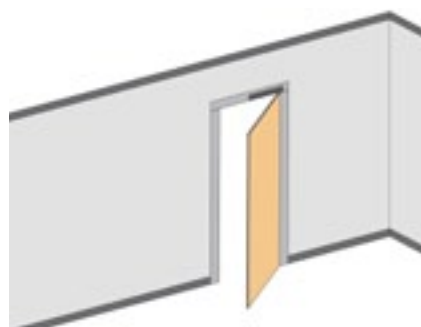
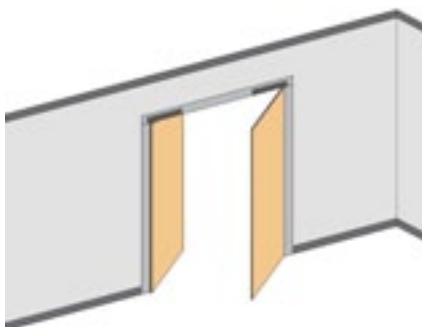


Non-Contact Switch



Certificates

- 2006/42/EC Machinery Directive
- 2004/108/EC EMC Directive
- EN 16005:2012
- EN 61000-6-2:2005
- EN 61000-6-3:2007





HTM METAXDOOR GmbH  
Bredeneyer Str. 2b 45133 Essen  
Tel : 0201 4517-322 • Fax: 0201 4517-323  
www.metaxdoor.de • info@metaxdoor.de

