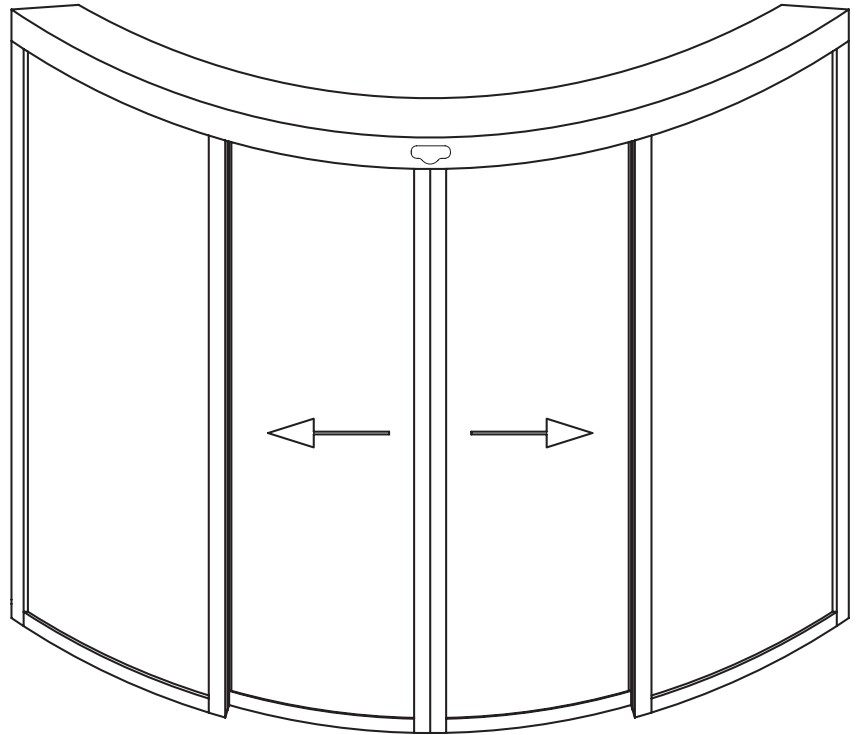


TECHNICAL SPECIFICATIONS

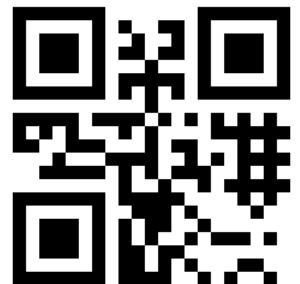


HM30/CRS *Automatic Circular Sliding Doors*

Ver.01.01.18.CRS.
UKK.1.ENG

METAXDOOR HM30/CRS automatic circular sliding doors which can be used indoors and outdoors, provide you with special multi dimensional solutions with various application alternatives and architectural details.

HTM METAXDOOR GmbH
Kahrstr. 1
45128 Essen
Tel : 0201 520 587-17
www.metaxdoor.de





Automatic Circular Sliding Doors

METAXDOOR HM30/CRS can be designed as half circular, full circular or segmented. Segmented versions can be produced as inwards or outwards with single parting or bi-parting modes available for both models.

METAXDOOR HM30/CRS can handle all the traffic you will ever need.

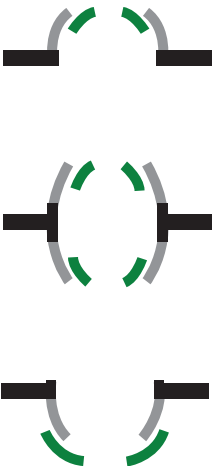
Technical Specifications

Motor	24V DC Motor
Control Unit	Microprocessor
Adjustable function	15
Canopy	Aluminium modular design
Profiles	Aluminium extrusion
Drum-gear material	Powder metallurgy
Transmission	Reinforced belt
Carriage System	3-wheel roller
Diameter	2000 - 4400 mm
Door opening time	1 - 60 sec.
Temperature	-20 °C-45+ °C
Lighting	6 pieces spot lights
Locking	Manual lock
Insulation	Natural horse hair brushes
Activation	2 pieces microwave radar 2 pieces combine radar
Power	AC220V 50/60Hz 1,9A-0,8A 100W

HM30/CRS Options:

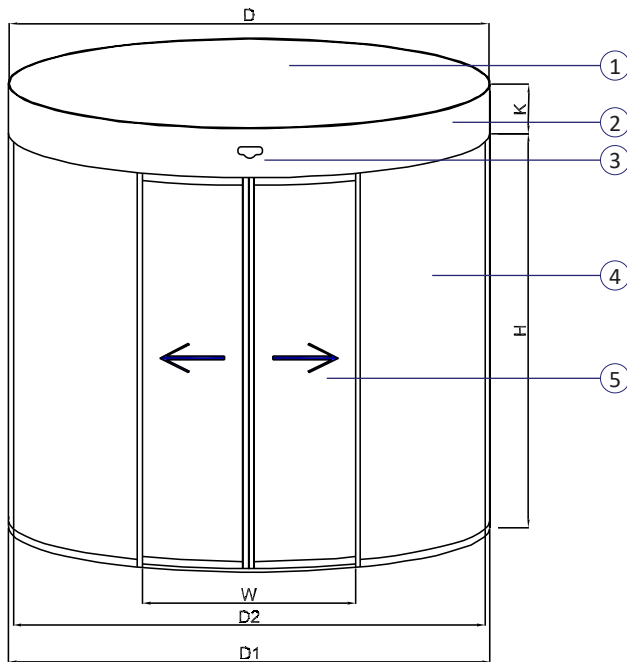
- Customizable diameter, design and function

Optional Features	Air curtain Water Drainage Stainless-steel Finish Floor ring and mat Electronic lock Digital Panel Touchless Sensor Password Panel
-------------------	---



HM30/CRS

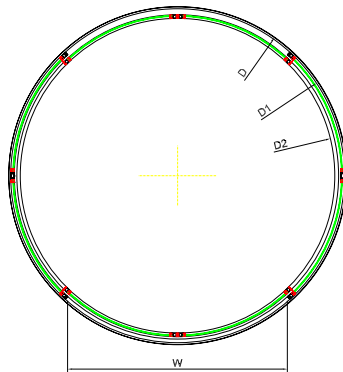
Ver.01.01.18.CRS.UKK.1.ENG



1. **Canopy**; a modular system that fulfils the canopy view and also houses mechanism.
2. **Mechanism**; an electromechanical system with Metaxdoor COMBO Processor.
3. **Radar**; gives signal to open the door when it detects movement.
4. **Fixed Drum**; fixed frames made of aluminium profiles and glass as standard, different material options available
5. **Moving Leaf**; door leaves made of aluminium profiles and glass as standard, different material options available

Diameter Dimensions

D (mm)	D1 (mm)	D2 (mm)	W (mm)
2000	1966	1806	1250
2200	2166	2006	1390
2400	2366	2206	2530
2600	2566	2406	1680
2800	2766	2606	1820
3000	2966	2806	1960
3200	3166	3006	2100
3400	3366	3206	2240
3600	3566	3406	2380
3800	3766	3606	2520
4000	3966	3806	2660
4200	4166	4006	2800
4400	4366	4206	2950



	Half circle	Segment	Full circle
Basic Configurations			
Design Options			
	inside building concave half circle	inside building segment concave half circle	asymmetric side full circle

**D : Outer diameter *D2: Floor inner diameter *W: Passage (mm) *D1: Floor outer diameter*



HTM METAXDOOR GmbH

Kahrstr. 1 45128 ESSEN

TEL : 0201 520 587-17

WWW.METAXDOOR.DE